

HiMAX 4S

Model SP500S-H

SHINGLED

High Efficient Imbricate Solar Module

500W

15-Year → Warranty for materials.

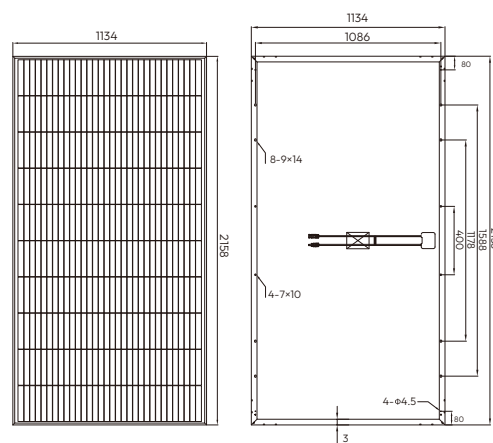
25-Year → Warranty for linear power output.

Mechanical Specification	
Cell Orientation	320
Junction Box	IP68, three diodes
Output Cable	4mm ² , 900mm (length can be customized)
Glass	Tempered glass, 3.2mm in thickness
Frame	Anodized aluminium alloy
Weight	27.03kg
Dimension	2158×1134×30mm
Packaging	37pcs per pallet
Operational Temperature	-40°C~+85°C
Power Output Tolerance	0~±5W
Max. System Voltage	1000VDC (IEC)
Max. Series Fuse Rating	25A
NOCT	44±2°C
Max. Static Load(Front)	5400Pa
Max. Static Load(Back)	2400Pa
Hailstone Test	25mm hailstone at the speed of 23m/s

Electrical Characteristics	
Model Number	Model Number
Maximum Power (Pmax/W)	500W
Open Circuit Voltage (Voc/V)	42.75V
Short Circuit Current (Isc/A)	14.56A
Voltage at Maximum Power (Vmp/V)	36.35V
Current at Maximum Power (Imp/A)	13.76A
Module Efficiency(%)	20.5%
Temperature Coefficient of Isc	+0.04% / °C
Temperature Coefficient of Voc	-0.25% / °C
Temperature Coefficient of Pmax	-0.34% / °C

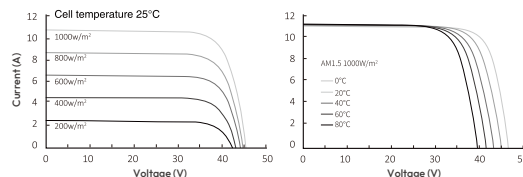
* STC (Standard Testing Conditions): Irradiance 1000W/m², Cell Temperature 25°C, Spectra at AM1.5
 * NOCT (Nominal Operating Cell Temperature): Irradiance 800W/m², Ambient Temperature 20°C, Spectra at AM1.5, Wind at 1m/s
 * Test uncertainty for Pmax: ±3%

Design



*Units: mm *Tolerance: ±2mm

I-V Curve SP500S-H



Comprehensive Products & System Certificates

- IEC61215/IEC61730
- ISO 9001: Quality Management System
- ISO 14001: Environmental Management System
- ISO 45001: Occupational Health and Safety Management System

