

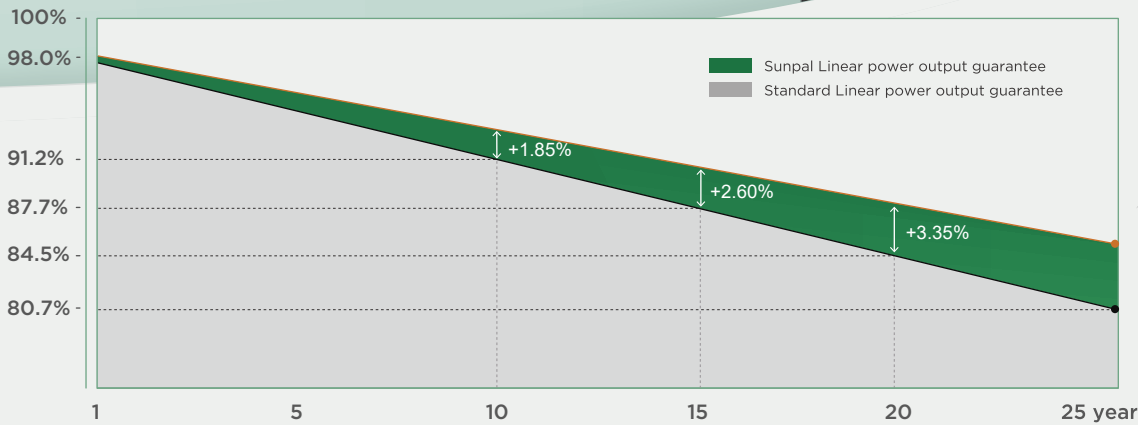
6 HiMAX ALL BLACK

# 655~685W

210mm Cells All  
Black Mono PERC with MBB  
& Half-cut Technology

## Quality Guarantee

12-year Warranty for Materials and Processing  
25-year Warranty for Extra Linear Power Output



84.80%

22.06%  
Max Module Eff.

0~+5W  
Positive Tolerance

### Complete System and Product Certifications

IEC 61215, IEC 61730, UL 61730  
ISO 9001:2008: ISO Quality Management System  
ISO 14001:2004: ISO Environment Management System  
OHSAS 18001:2007 Occupational Health and Safety



\* Specifications subject to technical changes and tests. Sunpal Solar reserves the right of interpretation.

Positive power tolerance (0~+5W) guaranteed

High module conversion efficiency (up to 22.06%)

Slower power degradation enabled by Low LID Mono PERC technology: first year <2%, 0.55% year 2-25

Solid PID resistance ensured by solar cell process optimization and careful module BOM selection

Reduced resistive loss with lower operating current

Higher energy yield with lower operating temperature

Reduced hot spot risk with optimized electrical design and lower operating current



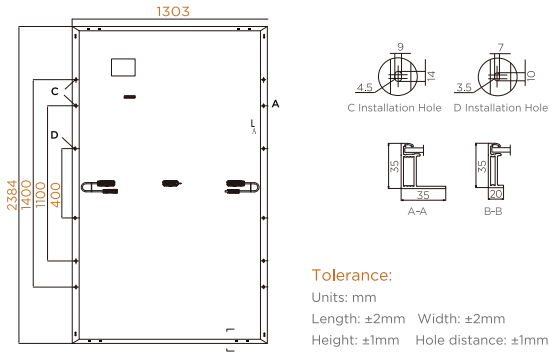
Add: No. 398 Ganquan Road, Hefei, Anhui, China.  
Email: [silvia@sunpalsolar.com](mailto:silvia@sunpalsolar.com) Tel: +86 551 6586 5992  
WhatsApp: +86 182 6991 2022 Web: [www.sunpalsolar.com](http://www.sunpalsolar.com)



WeChat

Q Sunpal Solar

Design (mm)



Cell Orientation	132 (6x22)
Junction Box	IP68, three diodes
Output Cable	4mm <sup>2</sup> , 300mm in length, length can be customized
Glass	Single glass 3.2mm coated tempered glass
Frame	Anodized aluminum alloy frame
Weight:	33.6kg±3%
Dimension	2384 x 1303x35mm
Packaging	31pcs per pallet 558pcs per 40'GP

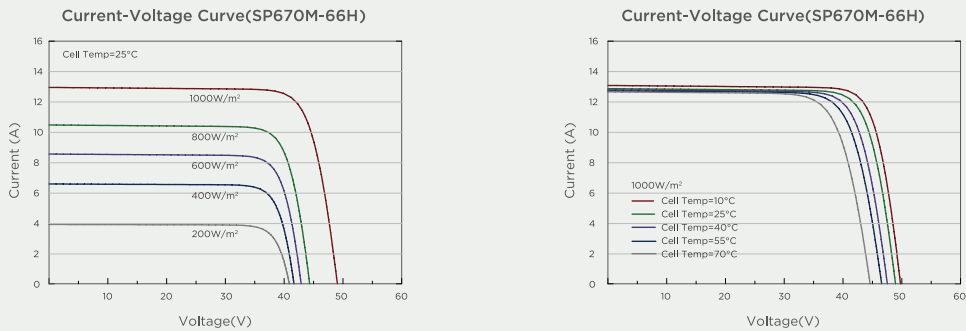
Operational Temperature	-40°C~+85°C
Power Output Tolerance	0~+5W
Voc & Isc Tolerance	±3%
Max. System Voltage	DC1500V(IEC/UL)
Max. Series Fuse Rating	30A
NOCT	45±2°C
Safety Class	II
Fire Rating	UL type 1 or 2
Max. Static Load(Front)	5400Pa
Max. Static Load(Back)	2400Pa

Electrical Characteristics

Model Number	SP655M-66H		SP660M-66H		SP665M-66H		SP670M-66H		SP675M-66H		SP680M-66H		SP685M-66H	
	STC	NOCT	STC	NOCT	STC	NOCT	STC	NOCT	STC	NOCT	STC	NOCT	STC	NOCT
Maximum Power (Pmax/W)	655	496	660	500	665	504	670	508	675	512	680	516	685	520
Open Circuit Voltage (Voc/V)	45.5	42.8	45.7	43	45.9	43.2	46.1	43.4	46.3	43.6	46.5	43.8	46.7	44
Short Circuit Current (Isc/A)	18.48	14.89	18.53	14.93	18.58	14.97	18.63	15.01	18.68	15.05	18.73	15.09	18.78	15.13
Voltage at Maximum Power (Vmp/V)	37.6	35.1	37.8	35.3	38	35.5	38.2	35.7	38.4	35.9	38.6	36.1	38.8	36.3
Current at Maximum Power (Imp/A)	17.43	14.14	17.47	14.17	17.5	14.2	17.54	14.23	17.58	14.27	17.62	14.3	17.66	14.33
Module Efficiency(%)	21.09		21.25		21.41		21.57		21.73		21.9		22.06	
Temperature Coefficient of Isc														
Temperature Coefficient of Voc														
Temperature Coefficient of Pmax														

\* STC (Standard Testing Conditions): Irradiance 1000W/m<sup>2</sup>, Cell Temperature 25°C, Spectra at AM1.5  
 \* NOCT (Nominal Operating Cell Temperature): Irradiance 800W/m<sup>2</sup>, Ambient Temperature 20°C, Spectra at AM1.5, Wind at 1m/s  
 \* Test uncertainty for Pmax: ±3%

I-V Curve



\* 2022 Sunpal Solar Co.,Ltd. All rights reserved.  
 \*CAUTION: READ SAFETY AND INSTALLATION INSTRUCTIONS BEFORE USING THE PRODUCT.  
 \*Specifications included in this datasheet are subject to change without notice.

